

YODOCK™

WATERFRONT SECURITY BARRIER



The **Yodock Waterfront Security Barrier (YWSB)** is the newest product in a long history of Yodock Security Barriers. The **YWSB** is a heavy duty floating security barrier which offers a clear and unquestionable line of demarcation. The **YWSB** is designed to delineate restricted areas while providing both a visual and a formidable physical barrier. It can be connected to mooring buoys, piling, docks, and anchored into fixed positions or configurations. Once the system is in place, it can be used as a platform to accommodate intrusion alarms, signage, sub surface nets, etc. The simple, yet effective design provides reliable service and minimal maintenance.

Vessel Protection

Port & Harbor Areas

Coast Guard Stations

Power Plants & Dams

Restricted Areas

Cruise Ship Security

Highly Visible Demarcation

Fast Emergency Deployment

Waterway Traffic Control



**AGGRESSIVE
DEFENSE
SOLUTIONS**

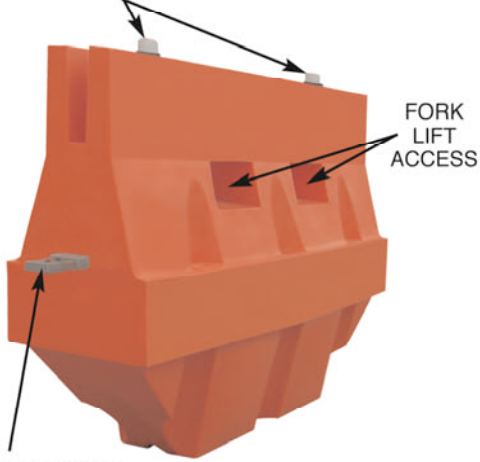
A PRODUCT OF THE YODOCK™
WALL COMPANY, INC.

WWW.WATERBARRIER.COM

**YODOCK™
DEFENSE
BARRIER**

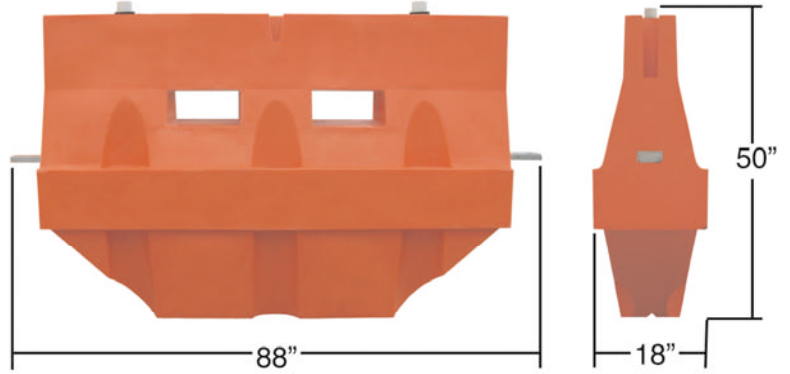
TWO SIZES AVAILABLE

MOUNTING EXTENSIONS
FOR LIGHTS, FENCE, CABLE,
MOTION SENSORS, ETC.

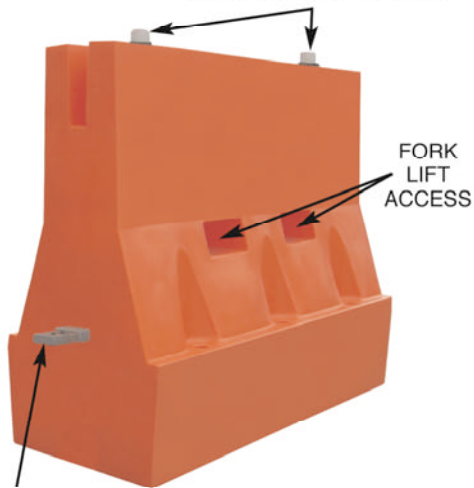


STRENGTH MEMBER

MODEL - 2001BB™
88" Length x 18" Width x 50" Height

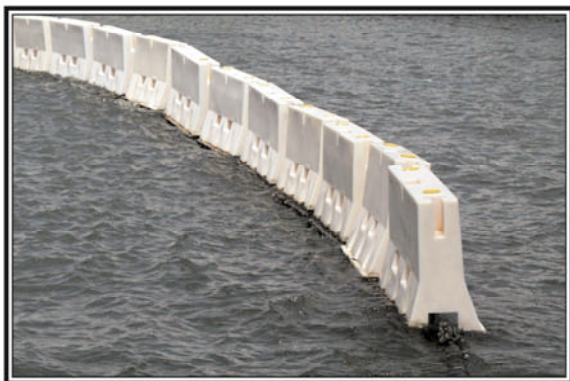
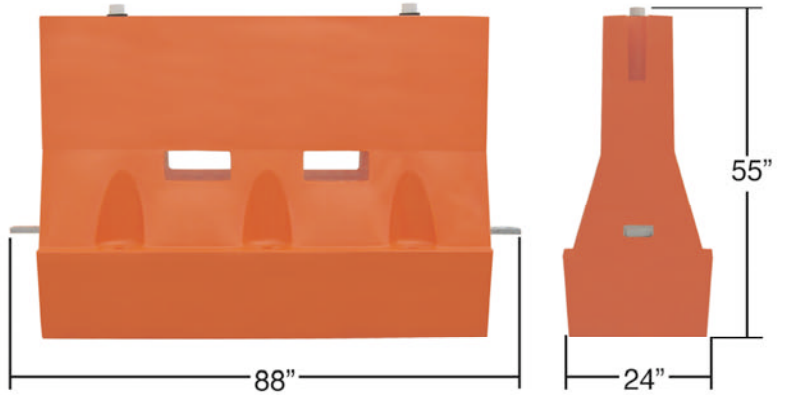


MOUNTING EXTENSIONS
FOR LIGHTS, FENCE, CABLE,
MOTION SENSORS, ETC.



STRENGTH MEMBER

MODEL - 2001XL™
88" Length x 24" Width x 55" Height



Demarcation



Marine construction

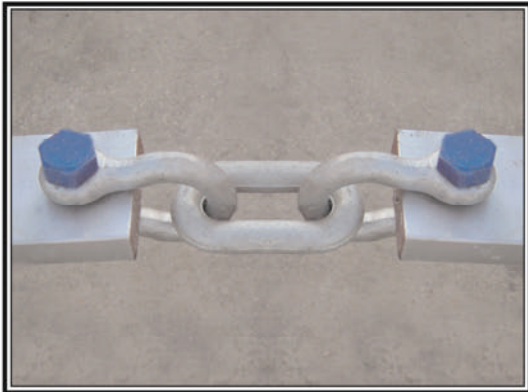
EASY INSTALLATION & DEPLOYMENT



Fork lift access for easy transportation



Easy pre-assembly



Simple connection between barriers



Installation and deployment in multi-unit sections



Easy maneuverability during installation and deployment



Towable for easy installation and rapid deployment



Vessel channelization



Clear line of demarcation



High security & restricted areas



Easily accessorized with fence, lights, nets, alarms, etc.

FEATURES

BENEFITS

1. Multiple Sizes	1. Fits a variety of applications
2. Easy Installation	2. Simple connection between units
3. Bright Color Options	3. Increases decision site distance - white, orange, yellow, etc.
4. Multiple Use Barrier	4. Can be used for both waterfront and land side security barriers
5. Heavy Duty Construction	5. Engineered for strength and durability
6. Safe & Effective	6. Simple setup, installation and maintenance
7. Interlocking Design	7. Continuous interlocking structure
8. Forklift Access	8. Quick & easy loading/unloading
9. Durable	9. Designed to withstand extreme environmental conditions
10. Easy Set Up	10. Quick, easy, safe installation and deployment

FOR INFORMATION CONTACT

THE YODOCK WALL COMPANY, INC.

623 NE 5th Terrace
 Ft. Lauderdale, FL. 33304
 Phone - (888)-4YODOCK - (888-496-3625)
 Fax - (954)-462-6004

PATENTED & PATENTS PENDING

WWW.WATERBARRIER.COM